

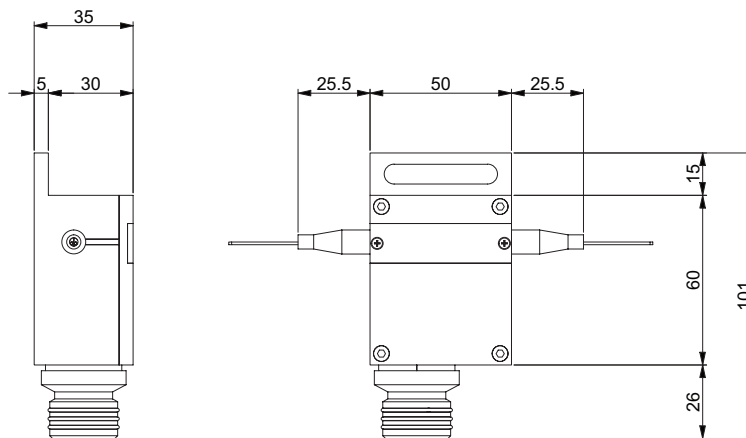
# Variable Ratio Fiber-Optic Couplers

## F-CPL Series

The F-CPL Series Variable Ratio Couplers are an all fiber, polished directional coupler with variable coupling ratio. These devices can be used to divide or combine optical signals in fiber optics research. Available wavelengths include 630 nm, 830 nm, 980 nm, 1060 nm, 1300 nm, and 1550 nm.

### Features:

- Very precise coupling ratio adjustment — from 0–100%
- Low insertion loss
- High polarization isolation
- PM and non-PM types available



## SPECIFICATIONS

### Common Type

Fiber	SM
Wavelengths	633 nm, 830 nm, 980 nm, 1064 nm, 1300 nm, 1550 nm
Insertion Loss	< 0.1 dB (without connectors)
Tuning Range of Coupling	0% ~ 100%
Dimensions (W x D x H)	50mm x 101mm x 35mm

### PM Fiber Coupler

Polarization Extinction Ratio	> 20 dB
PM Fiber Wavelengths	1550 nm